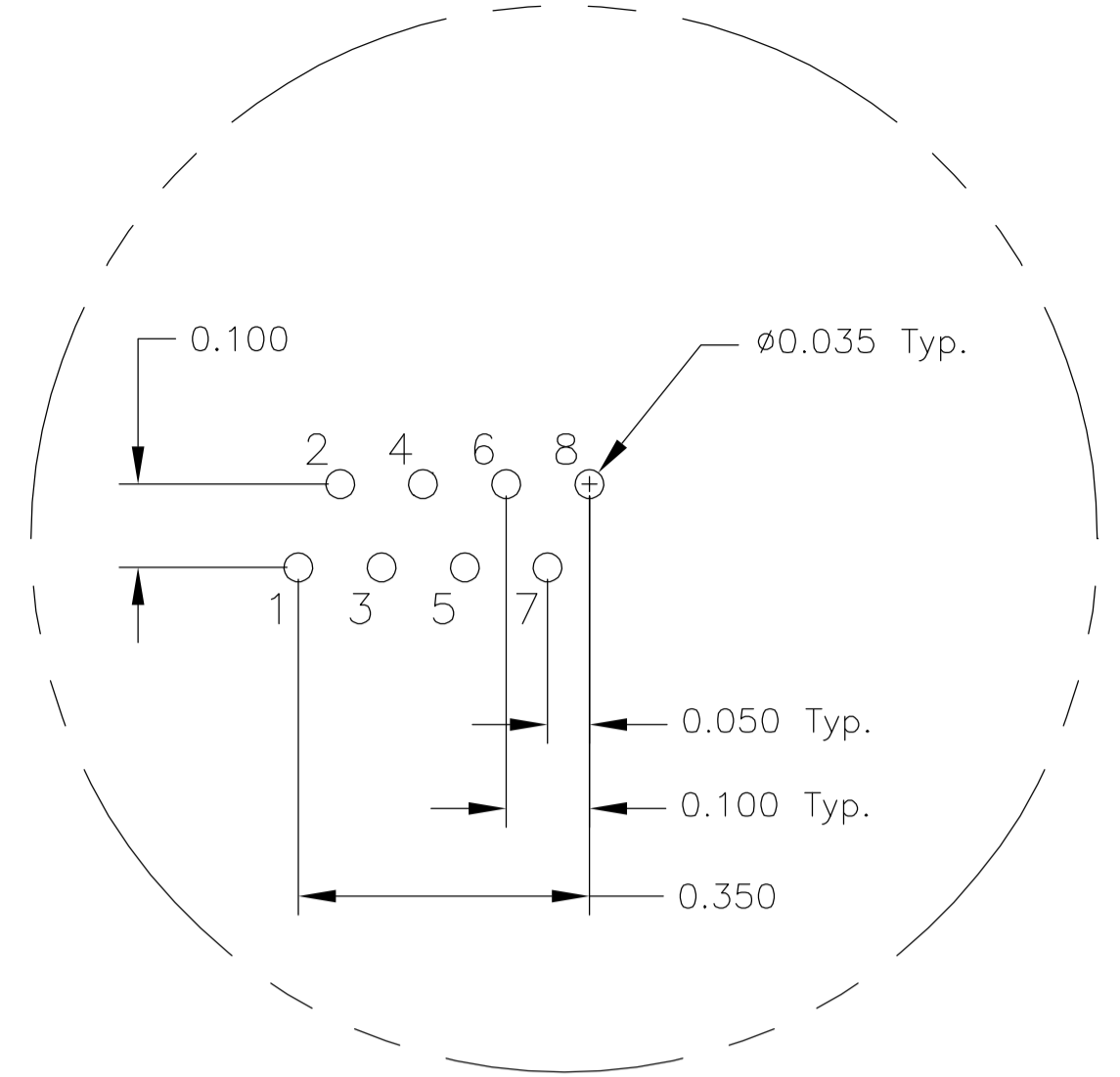
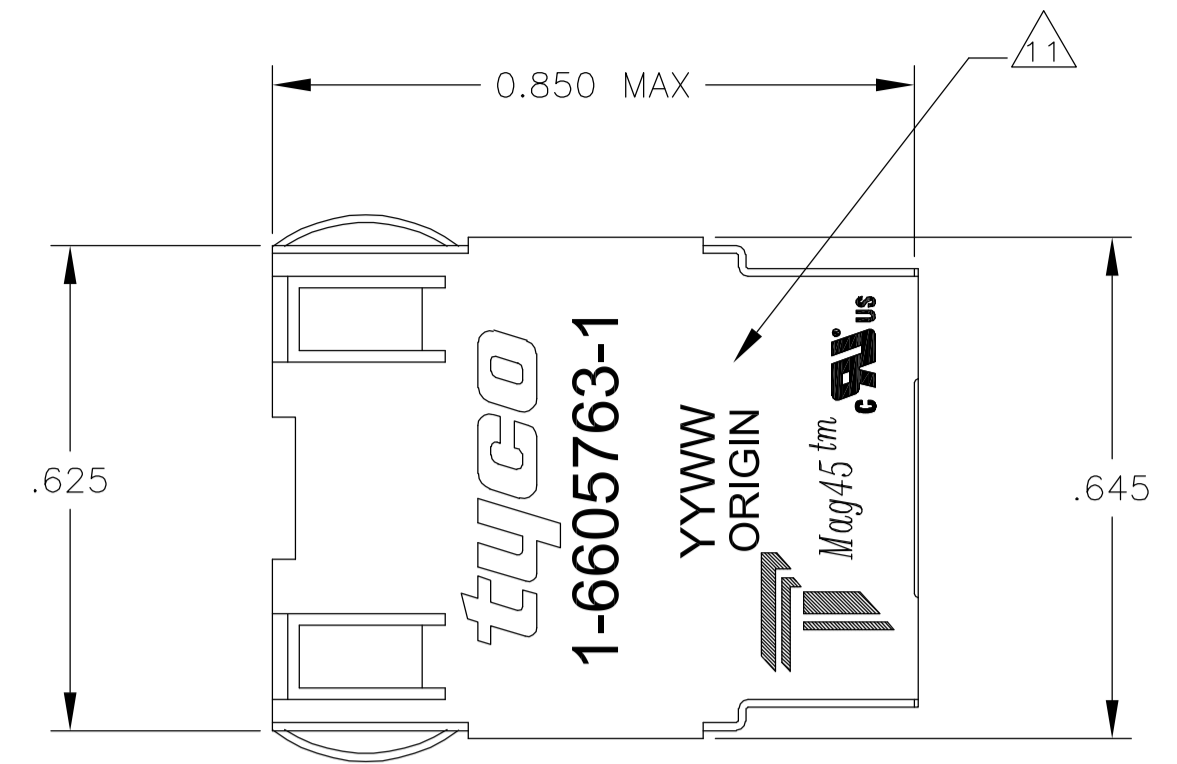
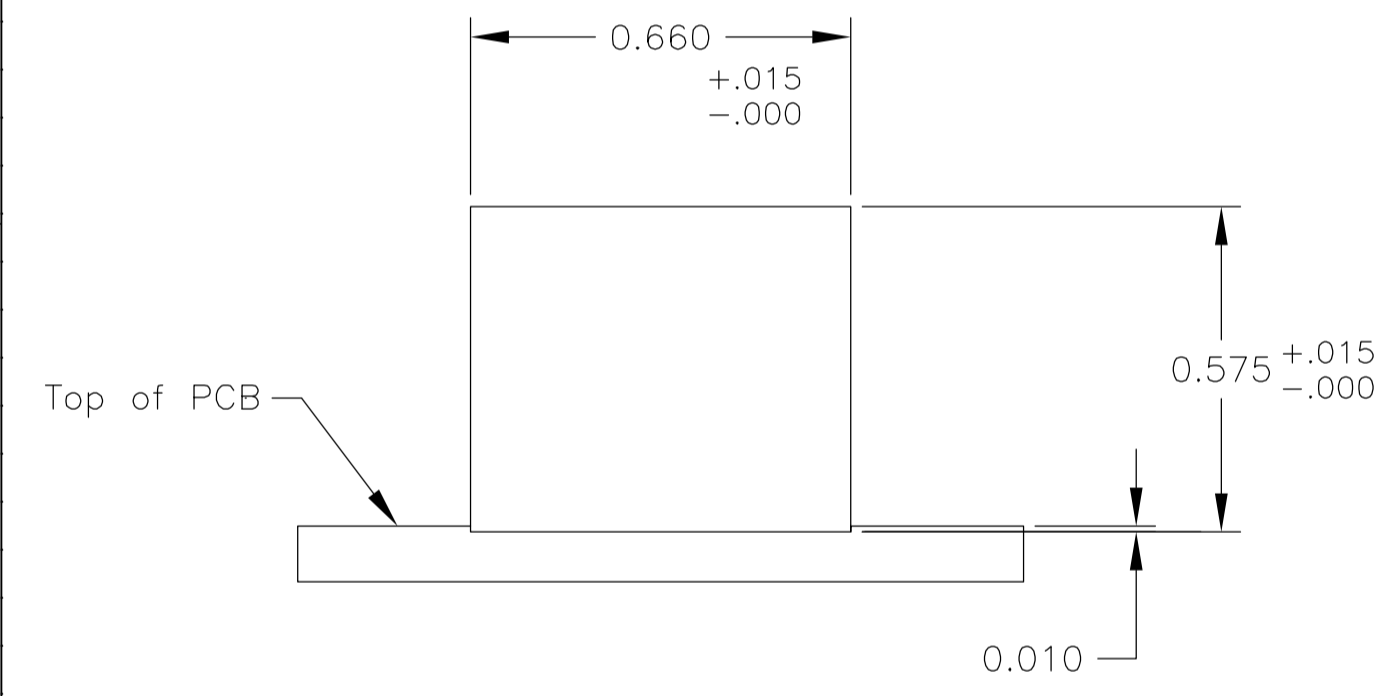
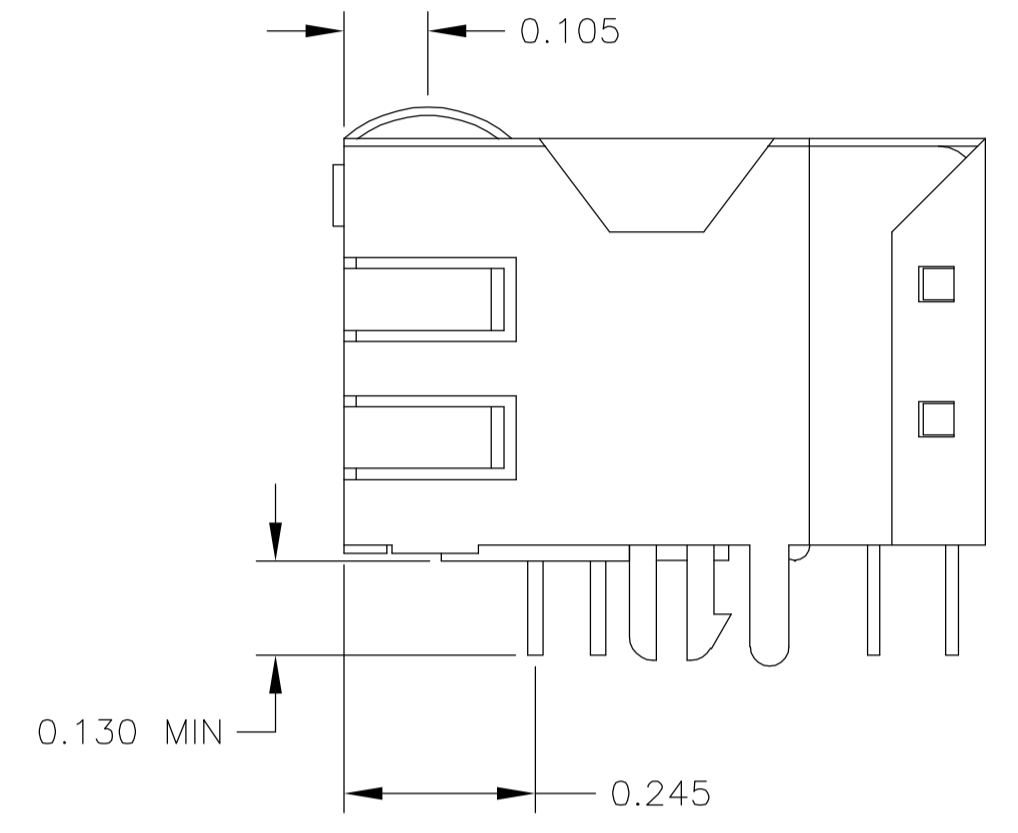
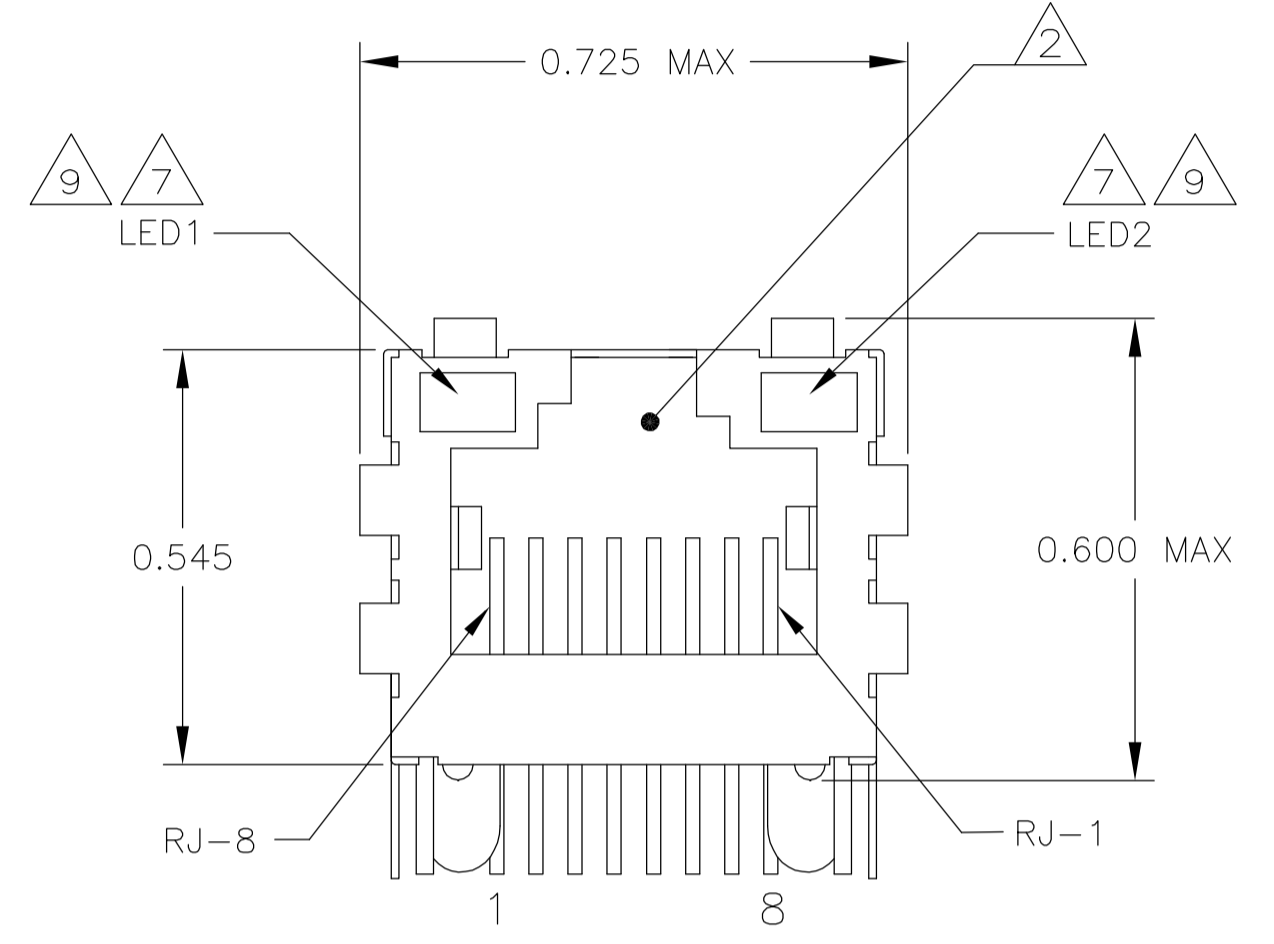


MECHANICAL:

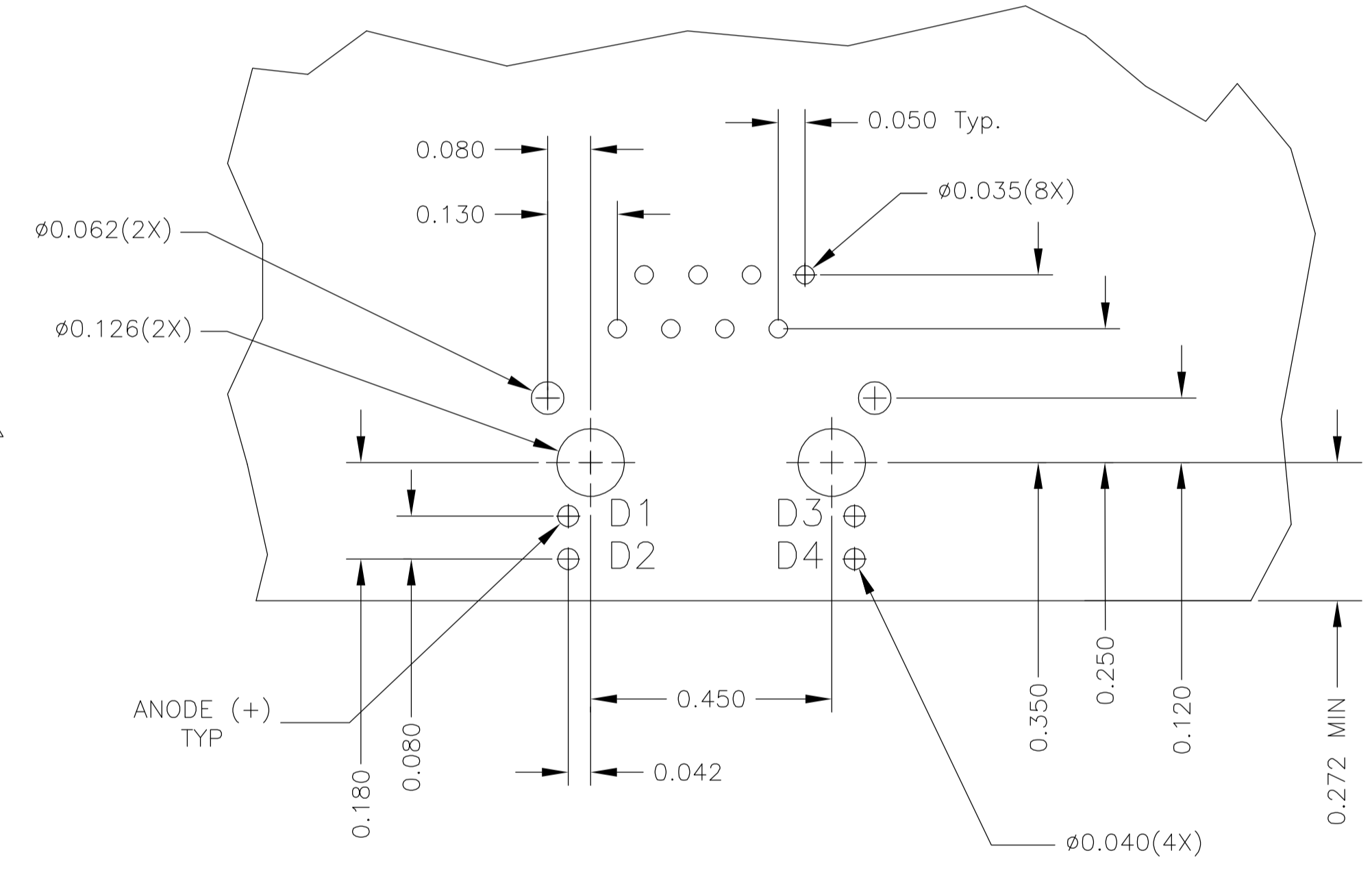
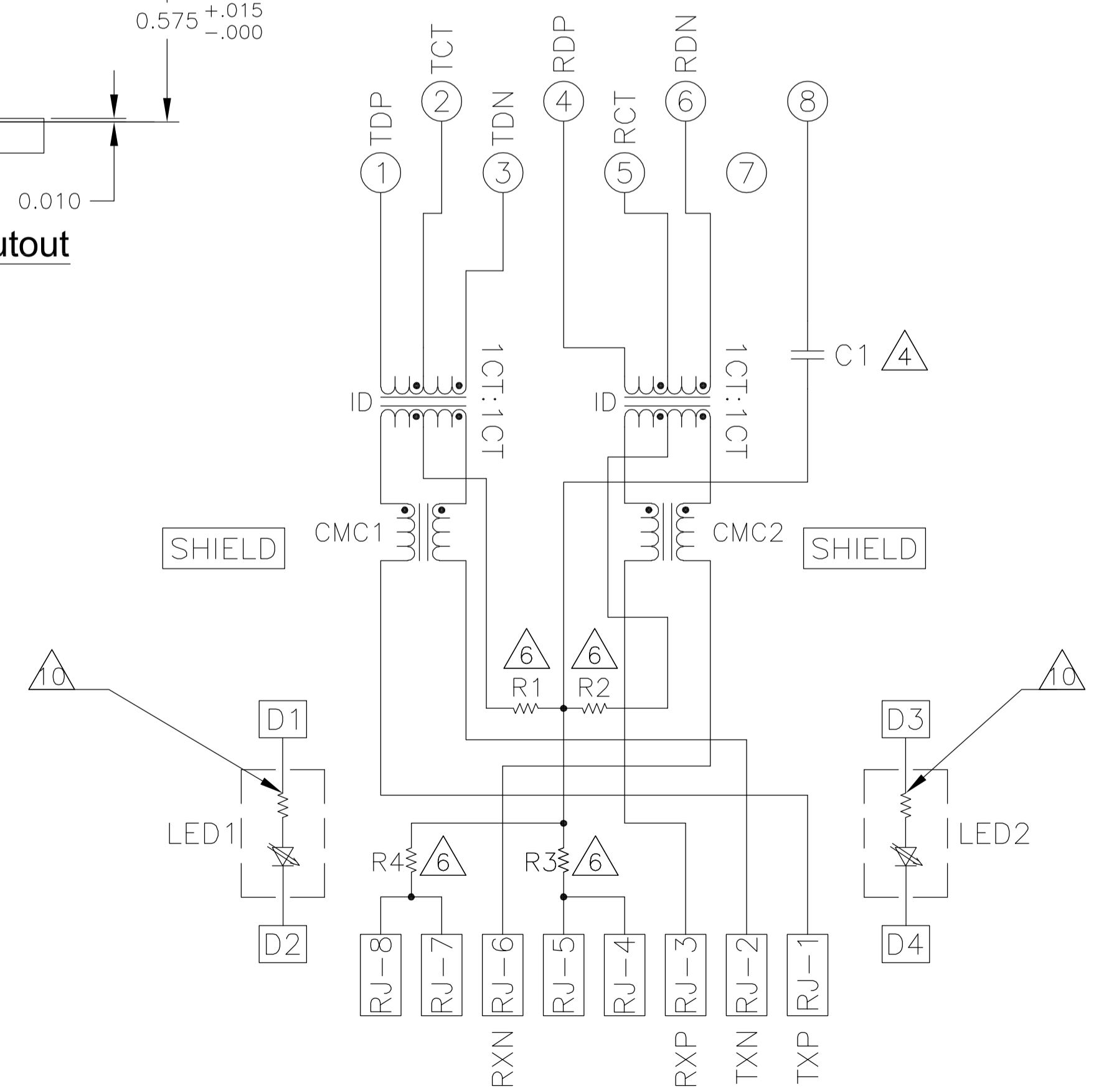


Pin Designations

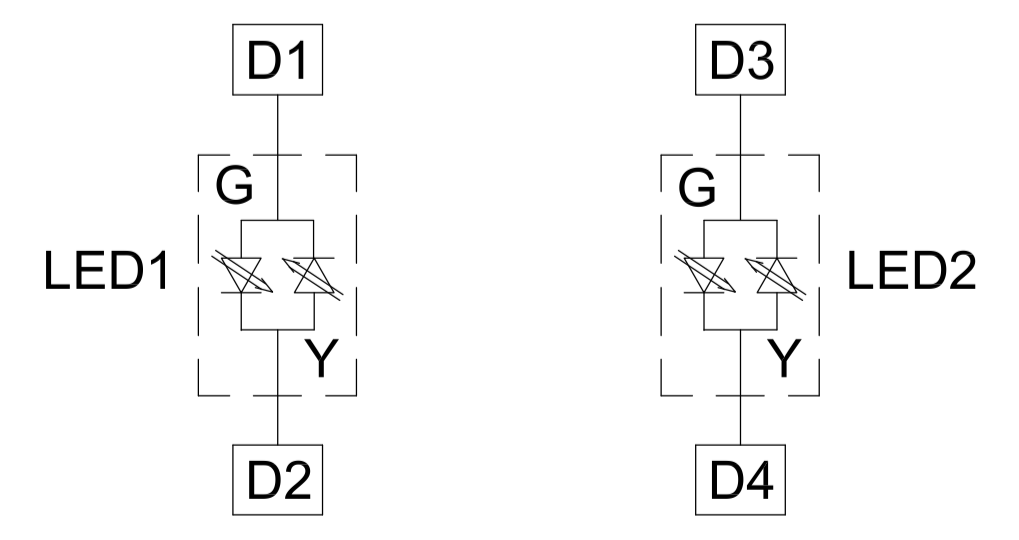


Suggested Panel Cutout

726P1 SERIES MAGNETIC CIRCUIT



Suggested PCB Layout (Component Side)



LED CONFIGURATION FOR 5-6605763-6 ONLY

- MATERIALS:**
- HOUSING - THERMOPLASTIC PET POLYESTER FLAMMABILITY RATING UL 94V-0.
 - SHIELD - .010" THICK, C26800 BRASS PREPLATED WITH 30μINCH MIN SEMI-BRIGHT NICKEL, SOLDER TABS POST DIPPED WITH 100μINCH MIN SAC SOLDER.
 - MOD JACK CONTACTS - 0.0157" x 0.018" PHOSPHOR BRONZE, 50μINCH MIN OVERALL NICKEL UNDERPLATE, WITH SELECT 50μINCH MIN HARD GOLD FINISH PLATE. SOLDER TAILS WITH 100μINCH MIN MATTE TIN AND/OR SAC SOLDER DIP.
 - LIGHT EMITTING DIODE(LED) - DIFFUSED EPOXY LENS, .020" x .020" CARBON STEEL WIREFRAME LEADS PRE-PLATED WITH 80μINCH SILVER OVER 40μINCH NICKEL UNDERPLATE OVER 40μINCH COPPER UNDERPLATE, POST-PLATED WITH 100μINCH MIN MATTE TIN AND/OR SAC SOLDER DIP OR PURE TIN SOLDER DIP.
- RJ45 JACK CAVITY CONFORMS TO FCC RULES AND REGULATIONS PART 68, SUB PART F.**
- MAGNETICS**
- IMPEDANCE: 100 OHMS
 - TURNS RATIO (CHIP: CABLE): TX = 1:1, RX = 1:1
 - OPEN CIRCUIT INDUCTANCE (OCL): 350μH MIN @100kHz, 0.1VRMS, 8mADC BIAS FROM 0°C TO 70°C, TX AND RX
 - PERFORMANCE @ 25°C:
- INSERTION LOSS (IL): 1.1dB MAX FROM 0.5MHz TO 100MHz
 - RETURN LOSS (RL): 18dB MIN FROM 0.5MHz TO 30MHz
 - 18-20LOG(f/30)dB MIN FROM 30.1MHz TO 60MHz
 - 12dB MIN FROM 60.1MHz TO 80MHz
 - CROSSTALK ATTENUATION: 35dB MIN FROM 0.5MHz TO 40MHz
 - 33-20*LOG(f/50)dB MIN FROM 40.1MHz TO 100MHz
 - COMMON MODE REJECTION RATIO (CMRR): 30dB MIN FROM 0.5MHz TO 100MHz
 - ISOLATION VOLTAGE: COMPLIES WITH IEEE802.3 2002, PARA 23.5.1.1, ITEM a or b.
- C1 IS AN OPTIONAL 1000pF, 2KV DECOUPLING CAPACITOR.**
- 5. OPERATING TEMPERATURE: FROM 0° - +70°C**
- R1-R4 = 75 OHMS, 1/16 W, 5%**
- LED COMPLIANT WITH IEC60825-1 SAFETY OF LASER PRODUCTS. WHEN OPERATED UP TO 20 mA.**
- INDICATED CONNECTIONS ARE FOR NIC CONFIGURATION. THE MAGNETICS ARE SYMMETRICAL, AND THEREFORE ARE AUTO-MDI/MDIX CAPABLE..**
- LED PEAK WAVELENGTH: GREEN(λ) = 565nm
YELLOW(λ) = 585nm**
- THESE 250 OHM RESISTORS ARE INCLUDED IN THE LEDS ON 1-6605763-1 ONLY.**
- TRADEMARK, PART NUMBER, DATE CODE, COUNTRY OF ORIGIN AND AGENCY APPROVAL MARKING IN APPROXIMATE LOCATION SHOWN**

GREEN	GREEN	5-6605763-7
GREEN/YELLOW	GREEN/YELLOW	5-6605763-6
GREEN	GREEN	1-6605763-1
LED1	LED2	PART NUMBER

THIS DRAWING IS A CONTROLLED DOCUMENT.		DIN	02MAR2005	tyco Electronics	Tyco Electronics Corporation Harrisburg, PA 17105-3608	
DIMENSIONS: INCHES		CHK	DOCKS		NAME	1X1 MAG45(TM), 7N2P1 SCHEMATIC, 726 SERIES CIRCUIT, SHIELDED, DECOUPLING CAPACITOR, WITH LEDS
TOLERANCES UNLESS OTHERWISE SPECIFIED:		D	FAROLE	APVD	02MAR2005	PRODUCT SPEC
0 PLC ± -						APPLICATION SPEC
1 PLC ± -						SIZE
2 PLC ± .010						CAGE CODE
3 PLC ± .005						DRAWING NO
4 PLC ± -						RESTRICTED TO
ANGLES ± -						WEIGHT
FINISH						A1
						00779
						©=6605763
						CUSTOMER DRAWING
						SCALE
						NTS
						SHEET
						1 OF 1
						REV
						A